

NAME

REFERENCE

ANTI-WASTE RING FOR 10 & 5 KG. FEEDER

11145

PRODUCT FEATURES

MATERIAL

POLYPROPYLENE

COLOR

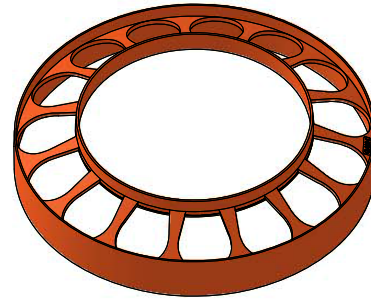
BROWN

WEIGHT

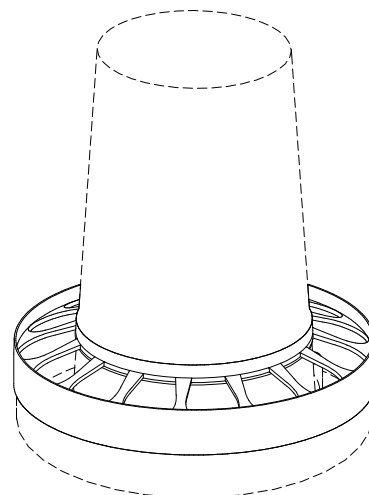
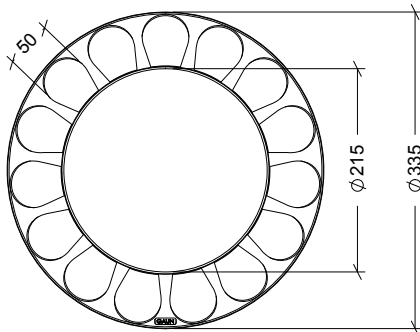
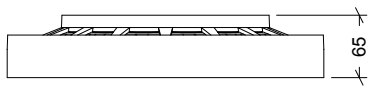
0,165 kg

CLOSURE TYPE

ACCESSORIES



SKETCH



PACKAGING FEATURES

PACKAGING TYPE

BOX

UNITS/PACKAGING

10 Units

PACKING DIMENSIONS

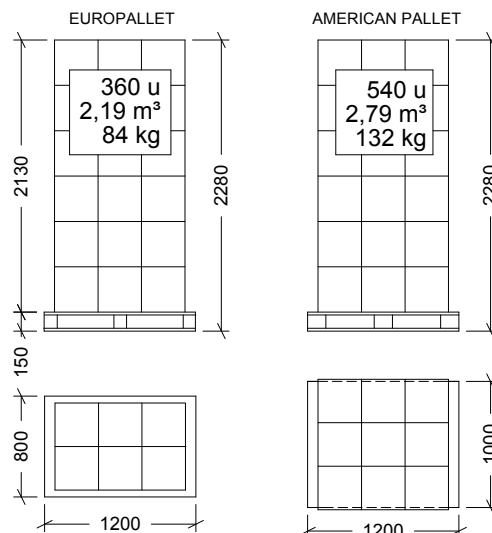
340x340x355 mm

PACKING WEIGHT

2 Kg

PACKING VOLUME

0,041 m³



EUROPALLET WEIGHT: 12 Kg.

AMERICAN PALLET WEIGHT: 24 Kg.

1,30X1,10 PALLET WEIGHT: 25 Kg.

Dimensions in mm

NAME

REFERENCE

METAL HANGING FEEDER 10 KG.

11110

PRODUCT FEATURES

MATERIAL

GALVANISED STEEL

COLOR

GALVANIZED

WEIGHT

1,654 kg

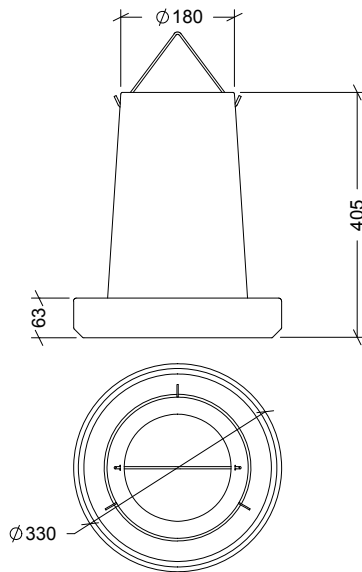
CLOSURE TYPE

-

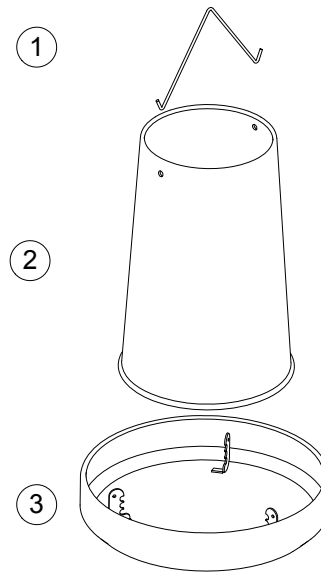
ACCESSORIES



SKETCH



EXPLODED VIEW



Nº	DESCRIPTION
1	HANDLE
2	CONE
3	BASE

PACKAGING FEATURES

PACKAGING TYPE

BOX

UNITS/PACKAGING

5 Units

PACKING DIMENSIONS

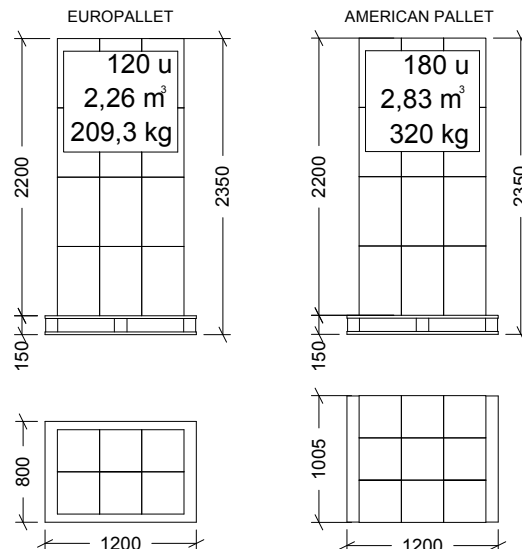
335x335x550

PACKING WEIGHT

8,220 kg

PACKING VOLUME

0,062 m³



EUROPALLET WEIGHT: 12 kg

AMERICAN PALLET WEIGHT: 24 kg

Dimensions in mm

NAME

RAINHAT FOR 10 KG. FEEDER

REFERENCE

11111

PRODUCT FEATURES

MATERIAL

POLYPROPYLENE

COLOR

BROWN

WEIGHT

0,570 kg

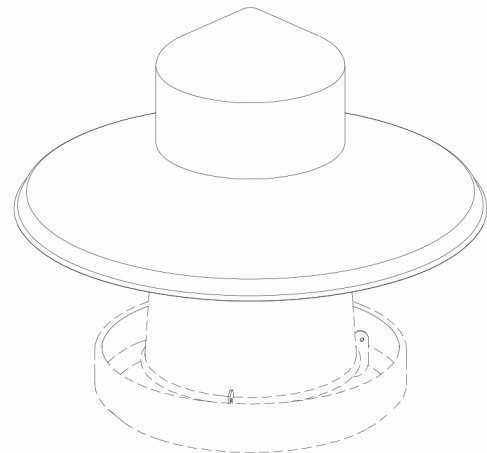
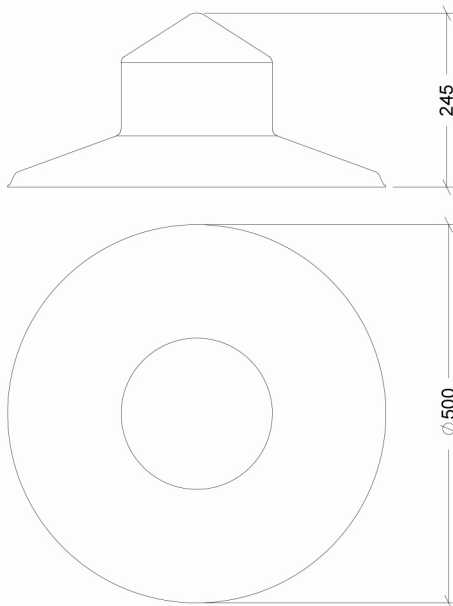
CLOSURE TYPE

-

ACCESSORIES



SKETCH



PACKAGING FEATURES

PAKAGING TYPE

BOX

UNITS/PACKAGING

10 Units

PACKING DIMENSIONS

500x500x538 mm

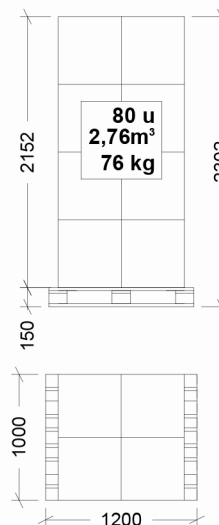
PACKING WEIGHT

6,51 Kg

PACKING VOLUME

0,135 m³

AMERICAN PALLET



EUROPALLET WEIGHT: 12 kg

AMERICAN PALLET WEIGHT: 24 kg